

b-CANCubeMicro

Product overview

The universal usable compact controller is equipped with a performant 32-Bit microcontroller. The b-CANCubeMicro was designed especially for the use in mobile machines and vehicles.

Bus communication

Two CAN-Interfaces e.g. for the connection to other controllers and CAN control interfaces.

Four multifunctional inputs

The inputs offer the flexibility to use them as voltage measurement 0-32V and digital inputs.

Robust mechanical housing

The closed housing design withstands even the most adverse conditions in the outdoor area of mobile applications. Regardless of whether it is cold, hot or damp, the housing offer the best protection for the electronic inside.



Free programmable

An user-friendly C-API enables easy entry into programming.



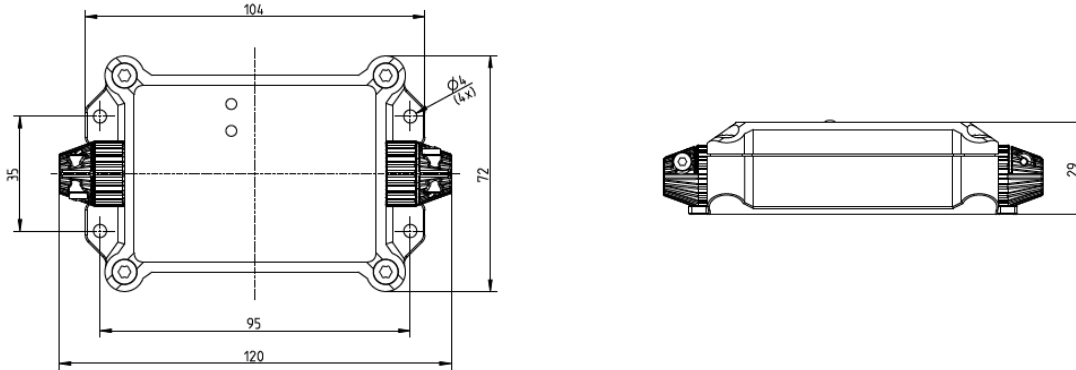
Illustration 1: b-CANCubeMicro

Highlights

 <p>4 Digital inputs 1 Sensor supply output</p>	 <p>2 CAN bus interfaces</p>	 <p>Free programmable in C</p>	 <p>Robust mechanics and easy mounting</p>	 <p>Extended operating temperature range</p>
--	---	---	--	---

Alle Daten bei 25°C Umgebungstemperatur, falls nicht anders angegeben. / All data at nominal input and 25° C ambient temperature, if not marked otherwise. ▪ Alle Daten dienen nur Informationszwecken und sind nicht als zugesicherte Eigenschaften aufzufassen. / All data for information purposes only, no assured characteristics. ▪ Technische Änderungen ohne vorherige Ankündigung sowie Irrtümer vorbehalten. / Technical modifications without notice and errors reserved. ▪ Belastung mit Extremwerten über einen längeren Zeitraum kann die Zuverlässigkeit beeinflussen. / Strain with extreme values for a longer period may affect the reliability. ▪ Alle Trademarks und Logos sind Eigentum der jeweiligen Unternehmen. / All trademarks and logos are property of the concerning companies. © b-plus mobile control GmbH • July-21 • Version: 1.3

Dimensions



Technical data

Operating temperature	-40 ... +80°C
Housing	PA12 (Polyamid), black
Dimensions	104 x 29 x 72 mm (WxHxD)
Protection class	IP65
Qualification	CE, E-mark ECE-R10, AEF ISO11783
Power supply	8 ... 32 V DC, internal polarity protection
Processor	CORTEX M4 32bit
Memory	1,5MB Flash, 320kB RAM, 16kB FRAM
Programming environment	ST Atollic TrueSTUDIO® SDK User friendly C-API with help file and example codes
Bus connection	2 CAN-Bus (High-Speed) acc. ISO 11898-2
Inputs	4 inputs, parametrizable as <ul style="list-style-type: none"> - Voltage measurement 0-32V 12bit resolution, accuracy 3% FS Internal resistance 114kOhm - Digital – Low-Side (Plus signal measurement) Internal resistance 114kOhm
Output	1 Output <ul style="list-style-type: none"> - Digital High-Side (Plus switching) e.g. for sensor supply (max. 1,5A) Protection against short circuit and excess temperature, diagnostic capability
Cabling	Customer specific cabling

Order no.

B20400-CMI-001-0001

Name

b-CANCubeMicro